

Use, Care and Installation Guide

Read all Instructions before Installing and operating this appliance

Important Safety Notice

MODEL: **AK8000AS, AK8100S, AK8200S**

READ AND SAVE THESE INSTRUCTIONS

WARNING

TO REDUCE THE RISK OF FIRE OR ELECTRIC SHOCK, DO NOT USE THIS FAN WITH ANY SOLID-STATE CONTROL DEVICE.

WARNING

TO REDUCE THE RISK OF FIRE ELECTRIC SHOCK, OR INJURY TO PERSONS, OBSERVE THE FOLLOWING:

- a. Use this unit only in the manner intended by the manufacturer, if you have questions, contact the manufacturer.
- b. Before servicing or cleaning unit, switch power off at service panel and lock panel to prevent power from being switched on accidentally. When the service disconnecting means cannot be locked, securely fasten a prominent warning device, such as a tag, to the service panel.

CAUTION

For general ventilating use only. Do not use to exhaust hazardous or explosive materials and vapors. Take care when using cleaning agents or detergents. Suitable for use in household cooking area.

WARNING

TO REDUCE THE RISK OF RANGE TOP GREASE FIRE:

- a. Never leave surface units unattended at high settings. Boilovers cause smoking and greasy spillovers that may ignite. Heat oils slowly on low or medium settings.
- b. Always turn hood ON when cooking at high heat or when flaming food
- c. Clean ventilating fans frequently. Grease should not be allowed to accumulate on fan or filter.
- d. Use proper pan size. Always use cookware appropriate for the size of the surface element.
- e. Keep fan, filters and grease laden surfaces clean.
- f. Use high setting on hood only when necessary.
- g. Don't leave hood unattended when cooking.
- h. Always use cookware and utensils appropriate for the type of and amount of food being prepared.

WARNING

TO REDUCE THE RISK OF INJURY TO PERSONS IN THE EVENT OF A RANGE TOP FIRE, OBSERVE THE FOLLOWING:

- a. **SMOTHER FLAMES** with a close-fitting lid, cookie sheet, or metal tray, then turn off the burner. **BE CAREFUL TO PREVENT BURNS.** If the flames do not go out immediately, **EVACUATE AND CALL THE FIRE DEPARTMENT.**
- b. **NEVER PICK UP A FLAMING PAN** – You may be burned.
- c. **DO NOT USE WATER**, including wet dishcloths or towels – a violent steam explosion will result.

Important Safety Notice

Read and save these instructions

- d. Use an extinguisher **ONLY** if:
 1. You know you have a Class ABC extinguisher, and you already know how to operate it.
 2. The fire is small and contained in the area where it started.
 3. The fire department is being called.
 4. You can fight the fire with your back to an exit

WARNING

TO REDUCE THE RISK OF FIRE, ELECTRIC SHOCK OR INJURY TO PERSONS, OBSERVE THE FOLLOWING:

- a. Installation work and electrical wiring must be done by qualified person (s) in accordance with all applicable codes and standards. Including fire-rated construction.
- b. Sufficient air is needed for power combustion and exhausting of gases through the flue (chimney) of fuel burning equipment to prevent back drafting. Follow the heating equipment manufacturer's guideline and safety standards such as those published by the National Fire Protection Association (NFPA) and the American Society for Heating, Refrigeration and Air Conditioning Engineers (ASHRAE) and the local code authorities.
- c. When cutting or drilling into wall or ceiling, do not damage electrical wiring and other hidden utilities.
- d. Ducted fans must always vent to the outdoors.
- e. If this unit is to be installed over a tub or shower, it must be marked as appropriate for the application and be connected to a GFCL (Ground Fault Interrupter protected branch circuit).
- g. **NEVER** place a switch where it can be reached from a tub or shower.
- h. Make sure the power is off before installing, wiring or maintaining.

WARNING

TO REDUCE THE RISK OF FIRE, USE ONLY METAL DUCTWORK.

CAUTION

To reduce risk of fire and to properly exhaust air outside - Do not vent exhaust air into spaces within walls, ceilings, attics, crawl spaces or garages.

WARNING

TO REDUCE THE RISK OF SHOCK, THIS FAN MUST BE INSTALLED WITH AN ISOLATING WALL CONTROL/SWITCH.

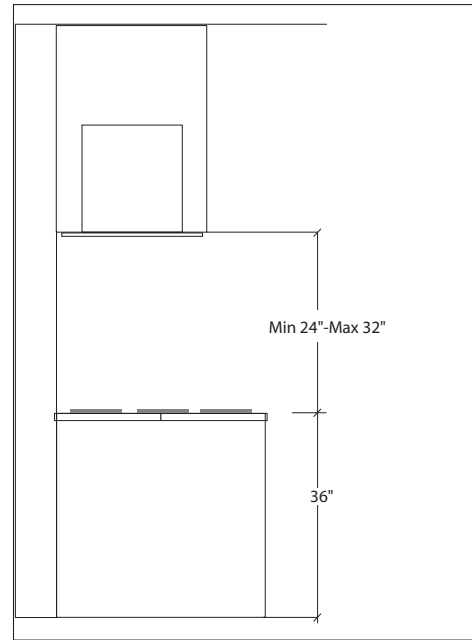
OPERATION

Always leave safety grills and filters in place. Without these components, operating blowers could catch onto hair, fingers and loose clothing.

***NOTE:** Please check www.zephyronline.com for revisions before doing any custom work.

INSTALLATION

MOUNT HEIGHTS



Minimum mount height between range top to hood bottom should be no less than 24".

Maximum mount height should be no higher than 32".

It is important to install the hood at the proper mounting height. Hoods mounted too low could result in heat damage and fire hazard; while hoods mounted too high will be hard to reach and will lose its performance and efficiency.

If available, also refer range manufacturer's height clearance requirements and recommended hood mounting height above range.

Minimum clearance of 24" hood above range height.

Maximum clearance 32" hood above range height.

DUCTING (AK8000AS, AK8100S, AK8200S)

A minimum of 6" round or 3-1/4" x 10" rectangular duct must be used to maintain maximum air flow efficiency for AK8000/AK8100 and 8" minimum must be used for AK8200.

Always use rigid type metal ducts only. Flexible ducts could restrict air flow by up to 50%.

Also use calculation (on right) to compute total available duct run when using elbows, transitions and caps.

ALWAYS, when possible, reduce the number or transitions and turns. If long duct run is required, increase duct size from 6" to 7" or 8". If a reducer is used, install a long reducer instead of a pancake reducer. Reduce duct size as far away from opening as possible.

If turns or transitions are required: Install as far away from opening and as far apart, between 2, as possible.

Minimum Duct Size:

Round:
6" minimum for AK8000AS/AK8100S
8" minimum for AK8200S
Rectangular:
Requires an adapter. Readily available at most hardware stores.

Duct Run Calculation: Maximum run

AK8000	
AK8100 (6" or 3-1/4" x 10")	AK8200 (8") 100 FT
Deduct:	
each 90 Elbow used	15 FT
each 45 elbow used	9 FT
each 6" to 3/14 x 10"	
transition used	1 FT
each 3/14 x 10" to 6"	
each 3/14 x 10" to 6"	
transition used	5 FT
Side Wall Cap w/ damper	30 FT
Roof Cap	30 FT

e.g.- 1 roof cap, 2x90 elbows, 1 45 elbow used:
=30' + 30' + 9' =69' used, 31' available for straight duct runs.



INSTALLATION

DUCTING

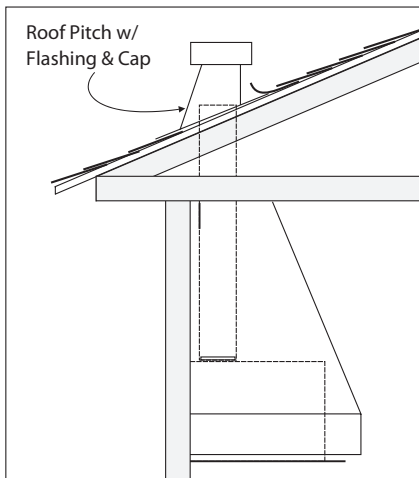
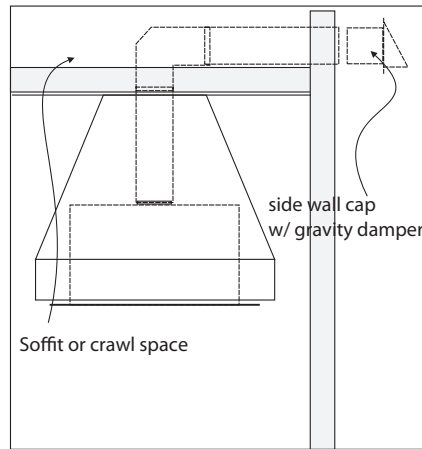
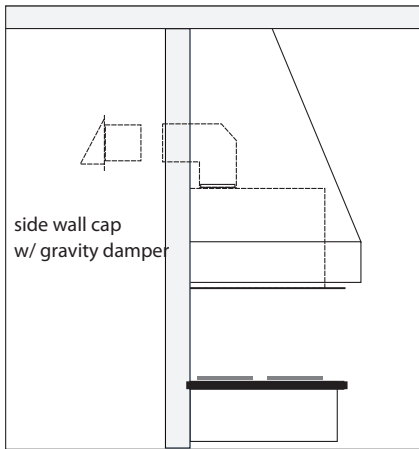
WARNING FIRE HAZARD

NEVER exhaust air or terminate duct work into spaces between walls, crawl spaces, ceiling, attics or garages. All exhaust must be ducted to the outside.

Use Metal ductwork only.

Fasten all connections with sheet metal screws and tape all joints w/ certified Silver Tape or Duct Tape.

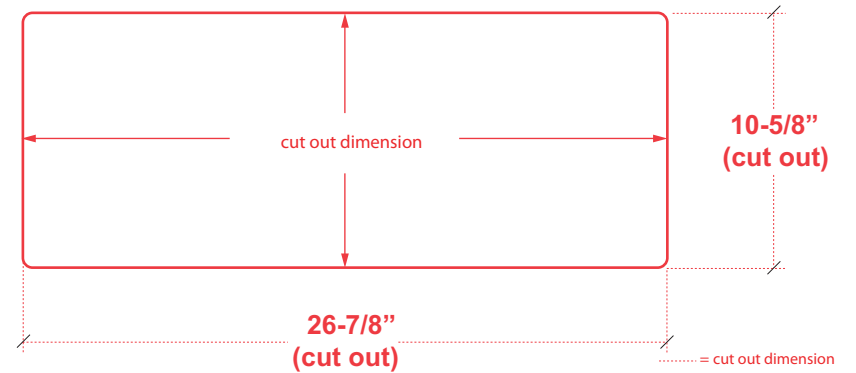
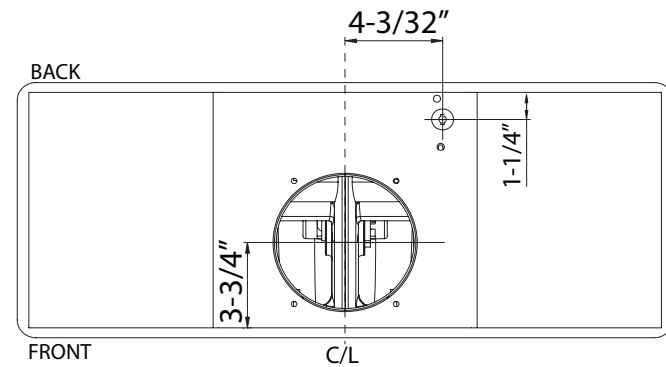
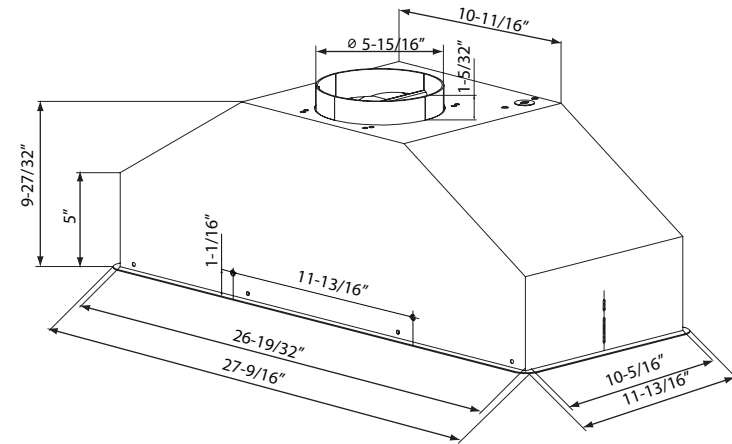
Some Ducting Options:



INSTALLATION

SPECIFICATIONS

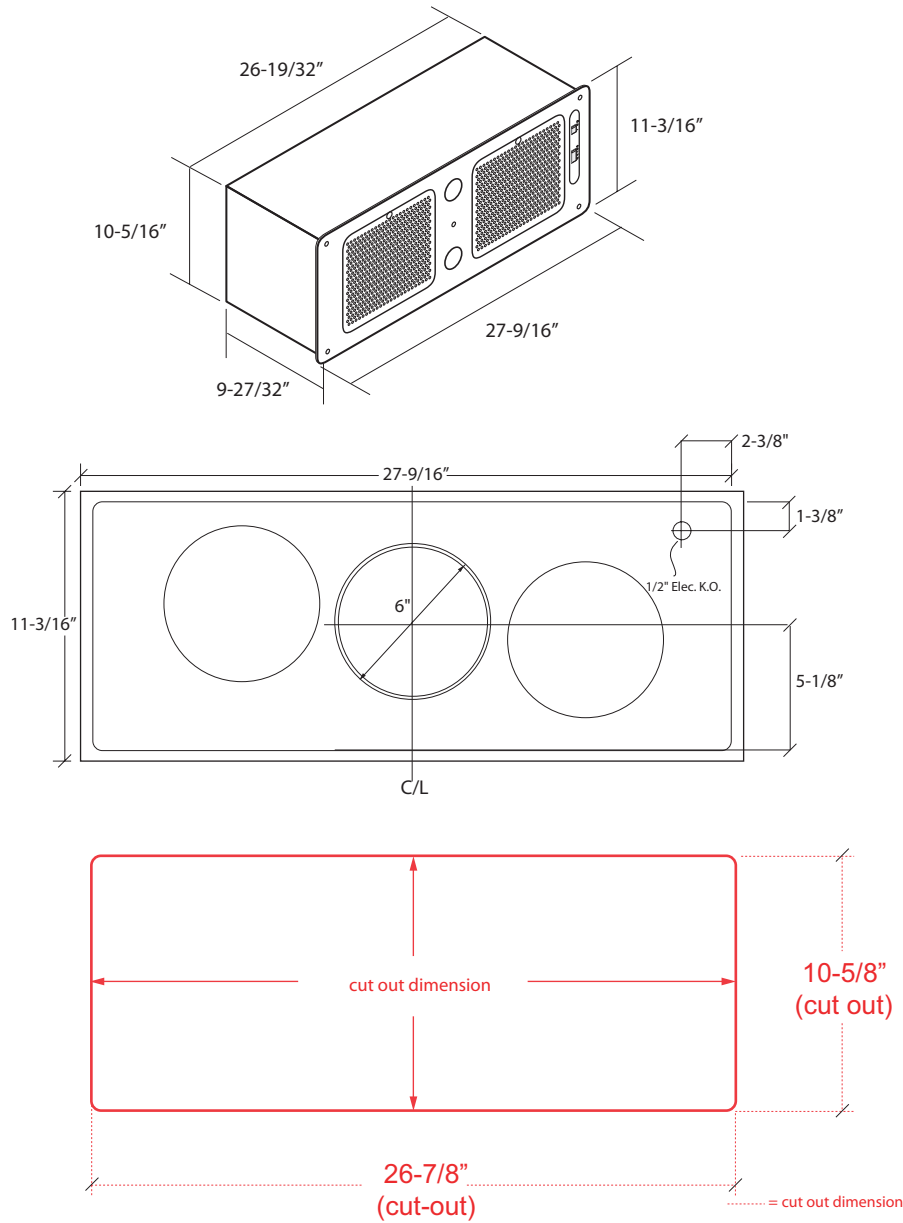
Twister (AK8000AS)



INSTALLATION

SPECIFICATIONS

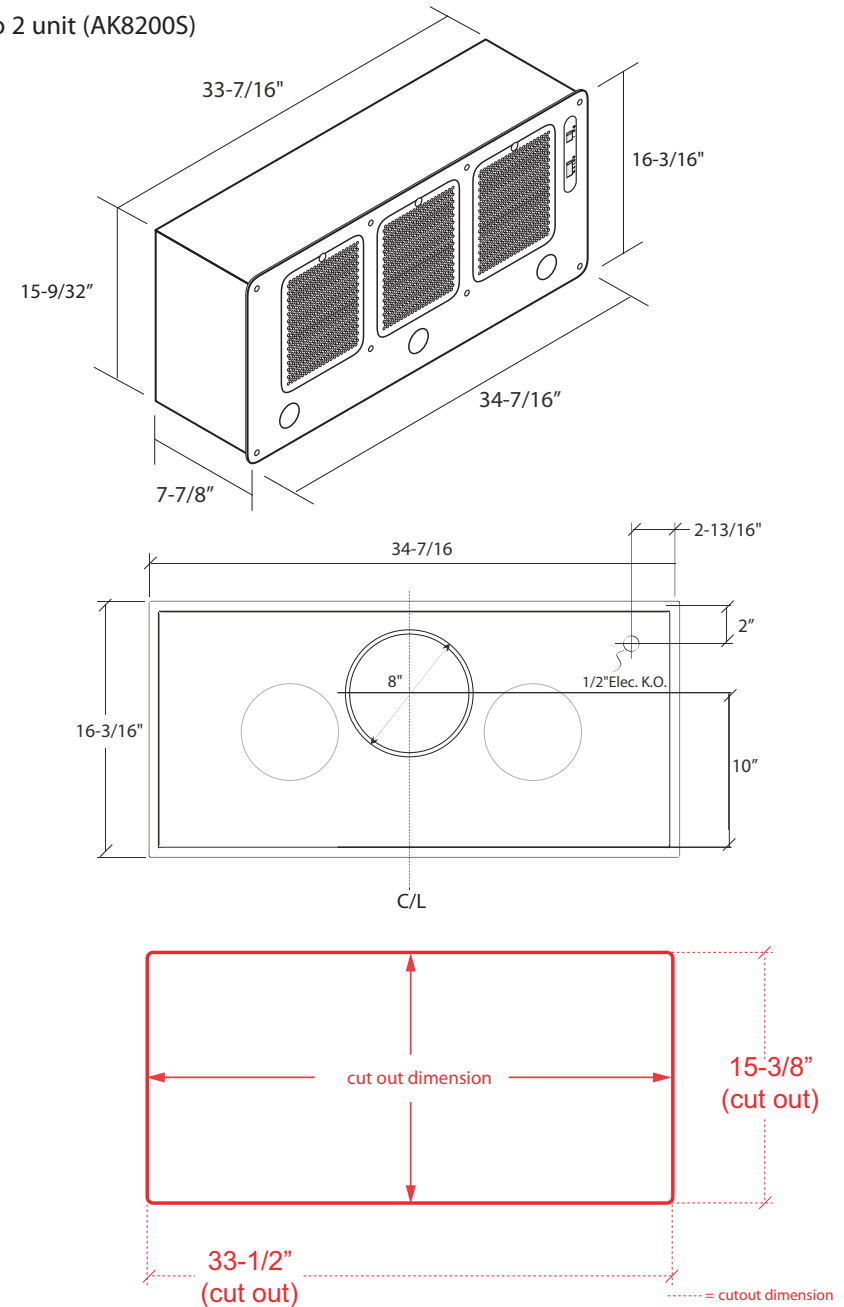
Tornado 1 unit (AK8100S)



INSTALLATION

SPECIFICATIONS

Tornado 2 unit (AK8200S)

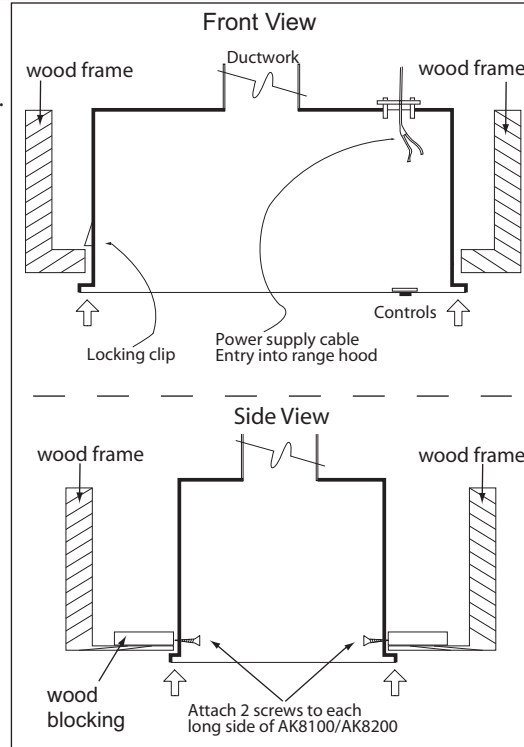


INSTALLATION

INSTALLATION

Mounting the Range Hood

1. Determine and mark the mounting position of the range hood with a pencil.
2. Cut out the opening where the range hood will be installed.
3. Cut out wall or ceiling area for clearance of ductwork. Install ductwork prior to range hood.
4. Determine location for the power supply cable. After drilling access hole, rout the cable into the electrical box of the range hood. Secure with a cable lock and connect to range hood electrical system.
5. Position range hood into location and ensure spring locking clip has locked into position.
6. Fasten wood screws into wood frame opening via the long side. Wood blocking may be necessary if wood frame is too thin.



ELECTRICAL

WARNING

All Electrical work must be performed by qualified electrician or person with similar technical know how and background.

For personal safety, remove house fuse or open circuit breaker before beginning installation. Do not use extension cord or adapter plug with this appliance.

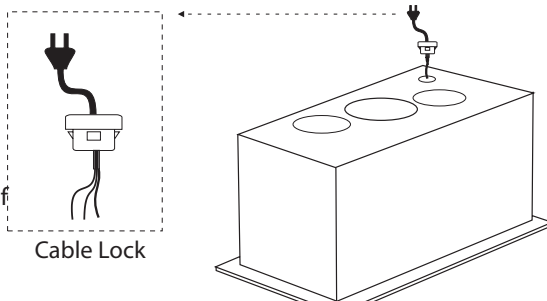
Follow National electrical codes or prevailing local codes and ordinances.

Electrical Supply:

This appliance requires a 120V 60Hz electrical supply, and connected to an individual, properly grounded branch circuit, protected by a 15 or 20 ampere circuit breaker or time delay fuse. Wiring must be 2 wire w/ ground. Please also refer Electrical Diagram labeled on product.

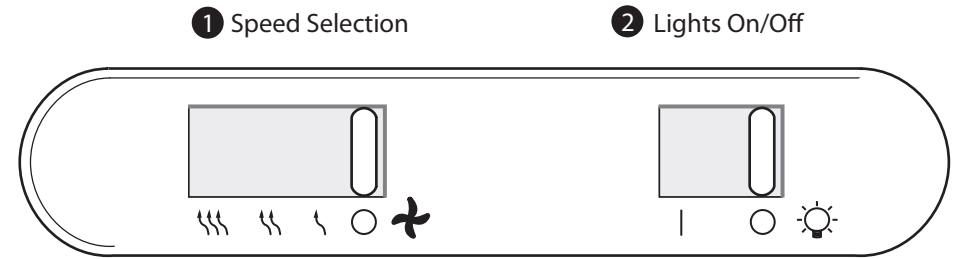
Cable Lock:

A cable locking connector (not supplied) might also be required by local codes. Check with local requirements and codes, purchase and install appropriate connector if necessary.



CONTROLS & FEATURES

CONTROLS & FEATURES (AK8100S/AK8200S)



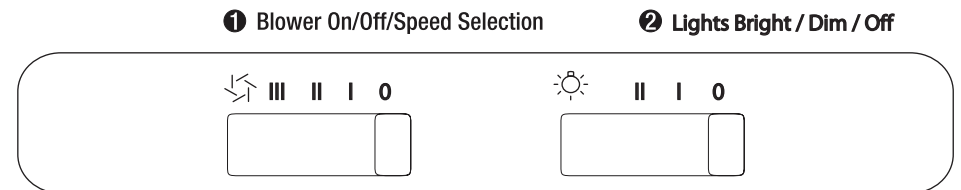
1 Speed Selection

This switch controls the speed of the blower. The first position is low speed, the second is medium speed, and the third is high speed.

2 Lights On/Off

Turn lights on or off by moving this switch.

CONTROLS & FEATURES (AK8000AS)



1 Speed Selection

This switch controls the speed of the blower. I is low speed, II is medium speed, and III is high speed.

2 Lights Bright / Dim / Off

This switch controls the lights. Slide switch to I for dim lighting and II for bright lighting.

MAINTENANCE

CLEANING (AK8100S, AK8200S)

Models AK8100S and AK8200S hoods are designed with a self cleaning feature. The centrifugal blower system automatically liquefies cooking residue accumulated in its internal housing and deposits the residue in the residue cups. Nevertheless, grease from cooking can also dry and adhere in the internal housing. Running the self clean function periodically will flush out accumulated residue in the range hood's internal housing.

Cleaning should be completed approximately once a month under normal use. Non corrosive, non abrasive grease cutting spray detergents are recommended.

Self Cleaning Instructions:

Remove safety grilles by unscrewing the thumb screw on each grille.

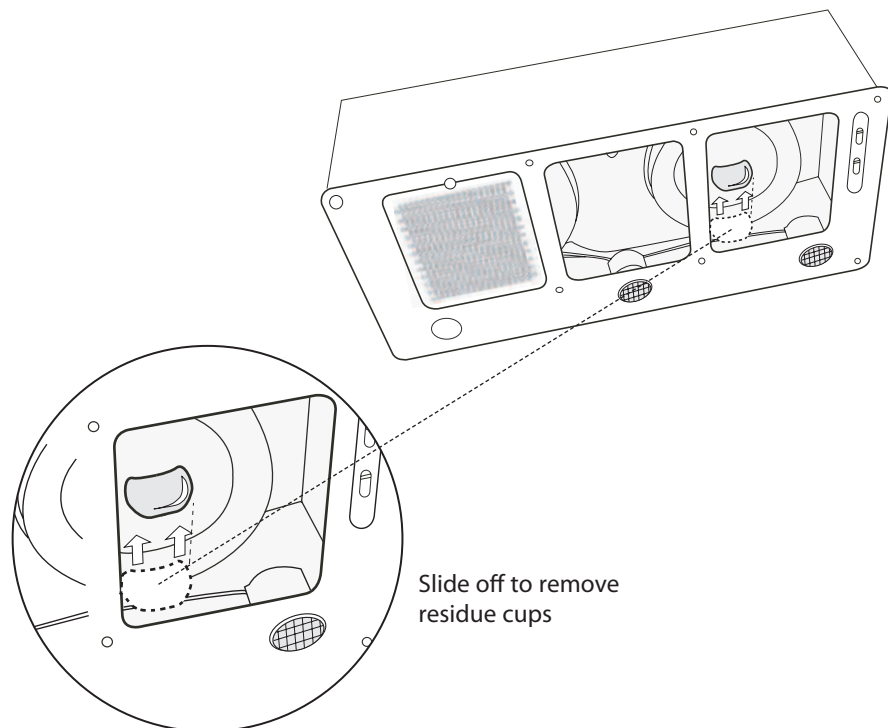
Turn blowers on lowest speed for cleaning.

With nozzle on spray, squirt grease cutting detergent directly onto blower blades 10 - 15 times. **(Do not use oven cleaner)**

Allow self cleaning to complete for 5 minutes, turn blower off.

Remove residue cups. Clean with mild detergent or in dishwasher.

Re-install residue cups and safety grilles before using hood.



MAINTENANCE

CLEANING (AK8000AS)

The AK8000AS metal mesh filter fitted by the factory is intended to filter out residue and grease from cooking. It need not be replaced on a regular basis but is required to be kept clean.

Filter should be cleaned every 30 days based on a usage of 1 hour per day. Clean filter more often if performance decreases.

Remove and clean by hand or in dishwasher on low setting. Or spray degreasing detergent and leave to soak if heavily soiled.

Dry filter and re-install before using hood.

Should filter wear out due to age and prolonged use, contact the manufacturer.

SURFACE MAINTENANCE (AK8000AS, AK8100S, AK8200S)

Clean periodically with hot soapy water and clean cotton cloth. Do not use corrosive or abrasive detergent or steel wool/scouring pads which will scratch and damage surface.

For heavier soil use liquid degreaser. Do not use any product containing chlorine bleach. Do not use "orange" cleaners.

MAINTENANCE

LIGHTS

Replacing Light Bulbs

CAUTION: Light bulb becomes extremely hot when turned on.
DO NOT touch bulb until switched off and cooled. Touching hot bulbs could cause serious burns.

Make sure all power is turned off and bulbs are not hot.

Remove by turning bulb counter clockwise.

If bulbs are difficult to turn due to prolonged use, firmly attach a glass suction cup approx. the diameter of the bulb and turn.

Replacement bulbs are available at specialty lighting stores. Purchase type GU-10 120V 35W halogen bulbs. Or to order bulbs, please call our service center: 888-880-8368 or online parts store: www.zephyronline.com

